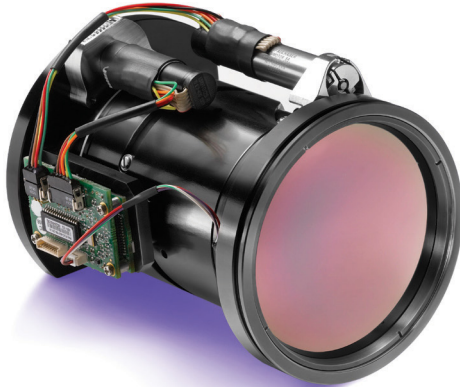


SupIR 15-300mm f/4.0, Motorized Continuous Zoom 680084 / 680204

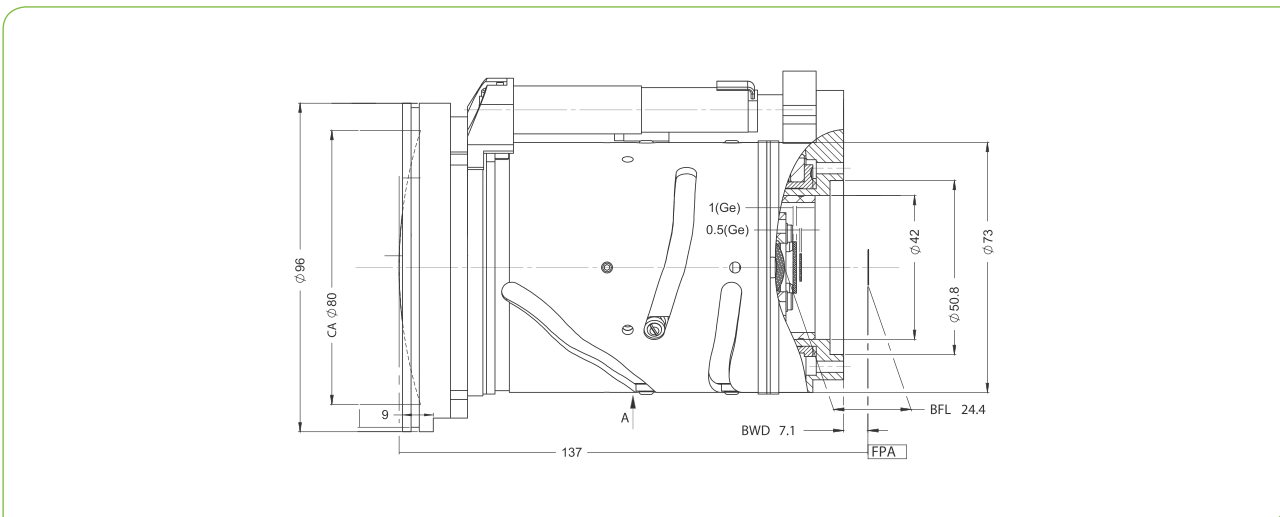


HD
FORMAT

WFOV (15mm)		
HFOV	640x512	1280X1024
15μ	35.1°	
10μ	-	44.9°

NFOV (300mm)		
HFOV	640x512	1280X1024
15μ	1.8°	
10μ	-	2.4°

Property		Value	
Optical		WFOV	NFOV
Focal Length		15mm	300mm
F/#		4.0	
Average Transmission (3.4-5.0μm)		94% (HD) / 92% (HC)	
Minimum Focus Range		5m	50m
680084	Cold stop to FPA distance	19.4mm	
	Cold stop CA	Ø4.85mm	
	BFL	23.3mm in air	
680204	Cold stop to FPA distance	20.5mm	
	Cold stop CA	Ø5.1mm	
	BFL	26.2mm in air	
Nuc (by defocus)		Yes	
Mechanical			
Focus Mechanism		Motorized	
Focus Time (minimum range to ∞)		≤1 sec.	
Zoom Mechanism		Motorized	
Zoom Time (NFOV to WFOV)		≤8 sec. at -32°C; ≤5 sec. at T ≥ 20°C (at max. speed)	
Through zoom boresight		Within a radius of 0.25mm at the focal plane	
Weight		990gr	
Max. Dimensions		Ø96mm x 130mm	
Electrical			
Lens Control		Designated lens controller	
Supply Voltage		12V	



MWIR | ZOOM

Property	Value
----------	-------

Electrical	
-------------------	--

Current Consumption	0.5A average, 1.0A peak at T = -32°C; 0.2A average, 1.0A peak at T ≥ 20°C
Communication Protocol	RS422

Environmental	
----------------------	--

Operating Temperature	-32°C to +80°C
Storage Temperature	-54°C to +85°C
Sealing	IP 67 front element only

Configurations	Description	FPA	Pixel Pitch	CSH	Coating		
680084-001	15-300mm	640x512	20μ	19.4mm	High Durability		
680084-002					Hard Carbon		
680084-018					High Durability Hydrophobic		
680084-021					Hard Carbon Hydrophobic		
680084-003					High Durability		
680084-004			Hard Carbon				
680204-001			15-300mm	1280x1024	15μ	20.5mm	High Durability
680204-002							Hard Carbon
680204-011							High Durability
680204-012					Low Reflection Hard Carbon**		
680204-014	High Efficiency						
680204-017	High Durability Hydrophobic						
680204-018	Hard Carbon Hydrophobic						
680204-019	Low Reflection Hard Carbon Hydrophobic						

* NOTE: The ICD drawing provided here is primarily a representation and may not accurately reflect the product's actual dimensions and specifications. For precise integration specifications contact your local sales representative.

** For detailed LRHC coating specifications see page 13