

# FoldIR 40-450mm f/3.6, Motorized Continuous Zoom 680533\*

NEW



## WFOV (40mm)

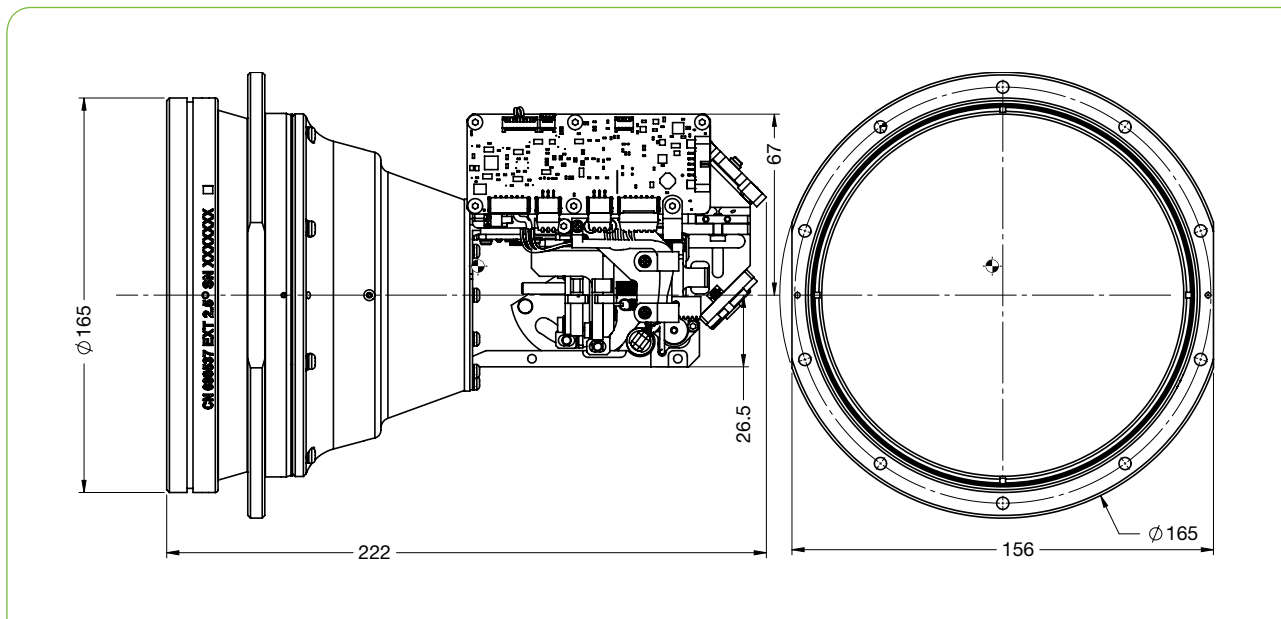
HFOV	640x480
10μ	8.9°

## NFOV (450mm)

HFOV	640x480
10μ	0.85°

Property	Value	
<b>Optical</b>	<b>WFOV</b>	<b>NFOV</b>
Focal Length	40mm	450mm
F#	3.6	
Average transmission (3.4-4.2μm)	80% (HD) / 76% (HC)	
Cold stop to FPA Distance	12mm	
Cold Stop CA	3.37mm	
Minimum Focusing Range	50m	5m
NUC	Mechanical shutter	
<b>Mechanical</b>		
Focus Mechanism	Motorized	
Focus Time (minimum range to ∞)	≤5.5 sec.	
Zoom mechanism	Motorized	
Zoom Time (NFOV to WFOV)	≤1 sec	
Max. Dimensions	Ø165 x length 222mm	
Weight	1.85kg	

\* Requires export license



Property	Value
<b>Electrical</b>	
Lens Control	Designated lens controller
Drive Voltage	12VDC
Current Consumption	< 0.5A average, 1.0A peak
Communication Protocol	RS422
<b>Environmental</b>	
Operation Temperature	-32°C to +75°C
Storage Temperature	-54°C to +85°C
Sealing	IP67 front lens only
<b>Configurations</b>	
680533-001	High Durability
680533-002	Hard Carbon

\* NOTE: The ICD drawing provided here is primarily a representation and may not accurately reflect the product's actual dimensions and specifications. For precise integration specifications contact your local sales representative.