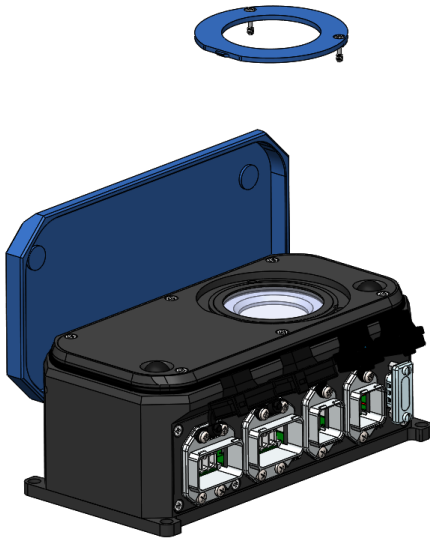


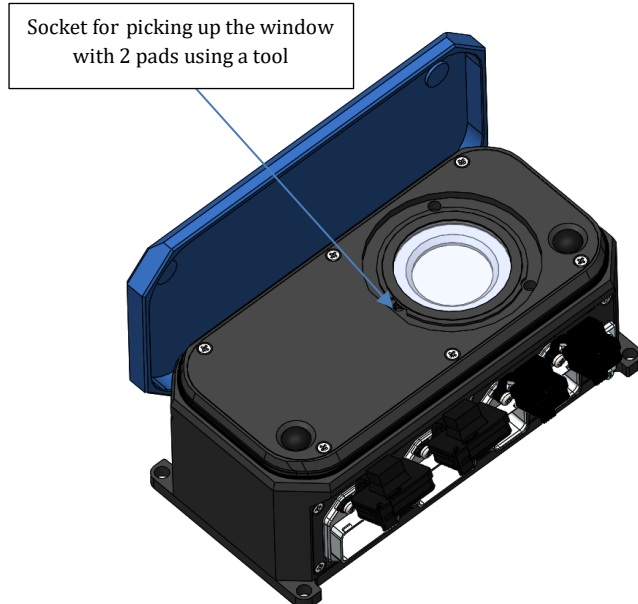
## Instructions for Removing Helios Pro Diffuser

Gloves must be worn to prevent fingerprints on the diffuser and the window.

Using a 1.5mm Allen key, unscrew the two screws fastening the window holder and remove the window holder.

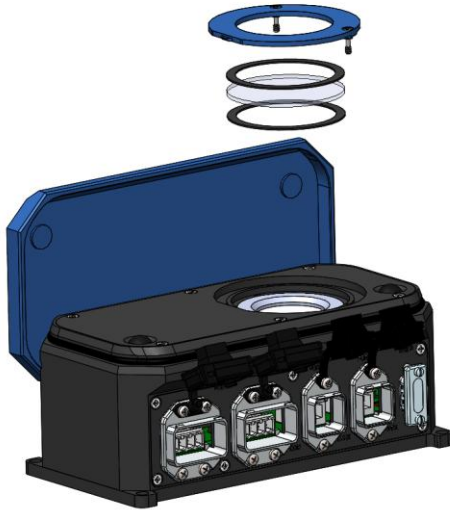


Insert the 1.5mm Allen key (or another tool) into the socket below the window with 2 pads and pick up the window from the groove.

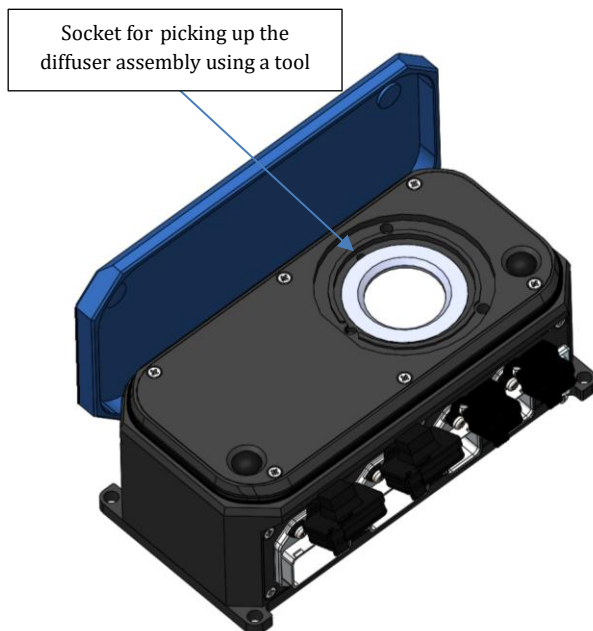


## USER NOTES

Separate the upper flexible pad from the window and then separate the lower flexible pad. Save the window and the pads in a clean place for reassembly.



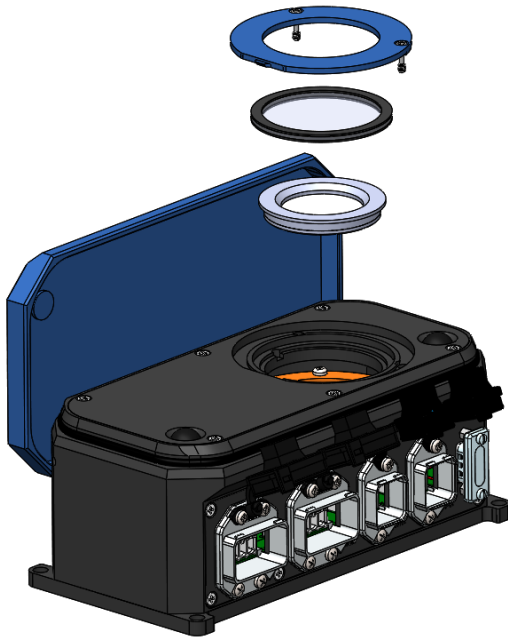
Insert the 1.5mm Allen key (or another tool) into the socket below the diffuser assembly and pick up the diffuser from the groove.



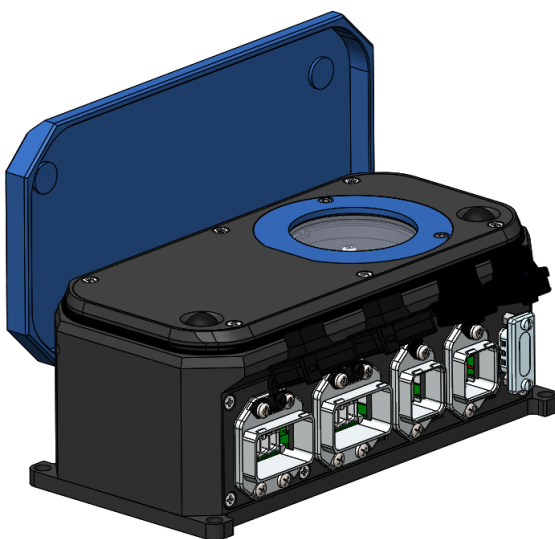
## USER NOTES

If you are planning to reassemble the diffuser at another time, save the diffuser in the box that came with the Helios Pro, using the paddings on each side of the diffuser for protection.

Assemble the lower flexible pad into the groove, then the window on top of it, then the upper flexible pad. Assemble the window holder to its place and screw back the 2 screws of the window holder.



The assembly is completed, and the Helios Pro is ready to operate in window only mode.



For latest version, please visit our website: [www.ophiropt.com](http://www.ophiropt.com)