

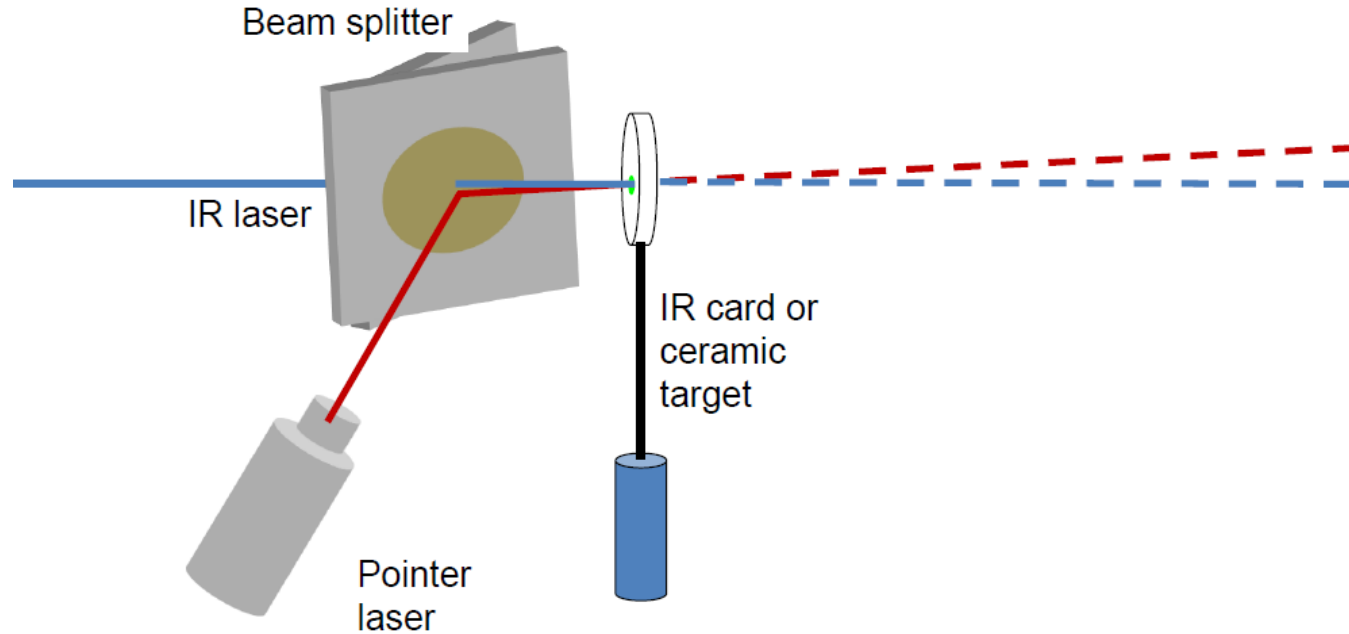


# How to align an invisible laser beam

mks

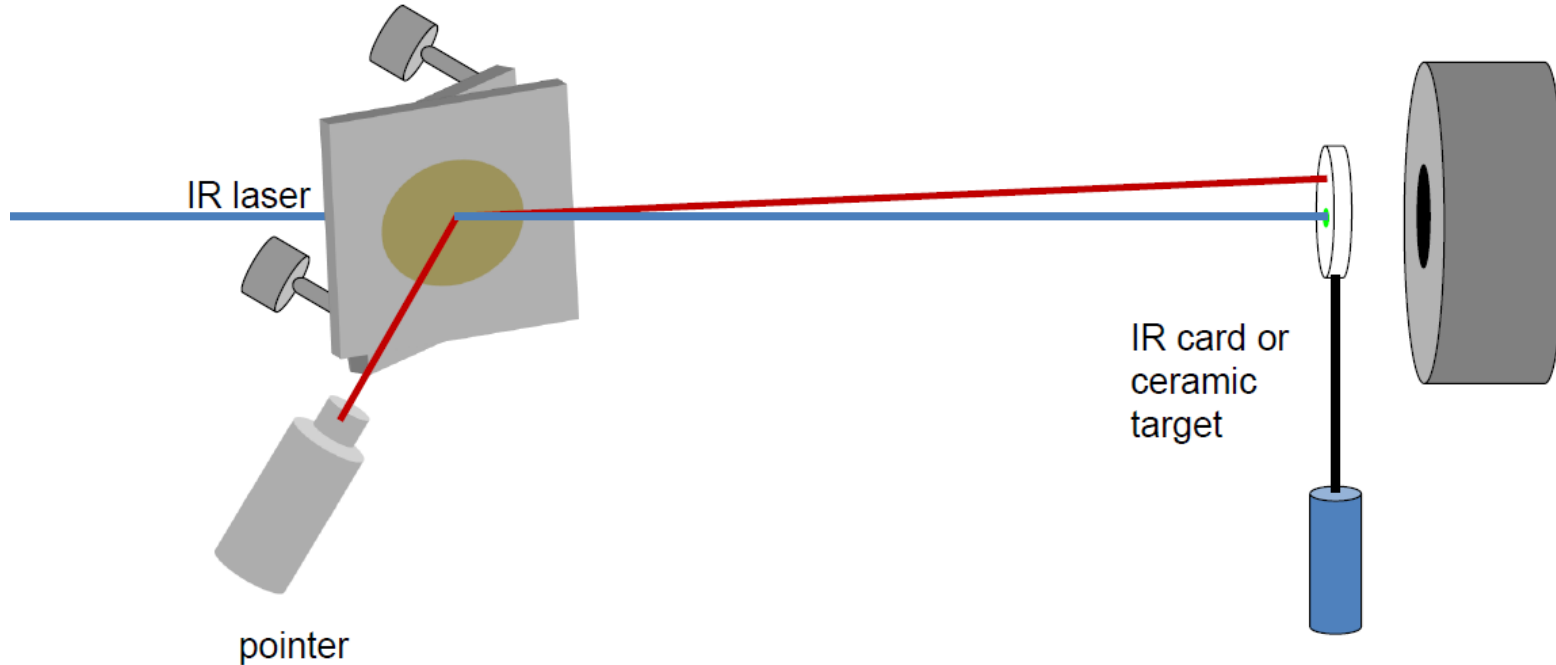
## Preliminary alignment – short distance

- Step 1: look at IR spot on target and bring pointer spot to same place near beam splitter by adjusting pointer laser



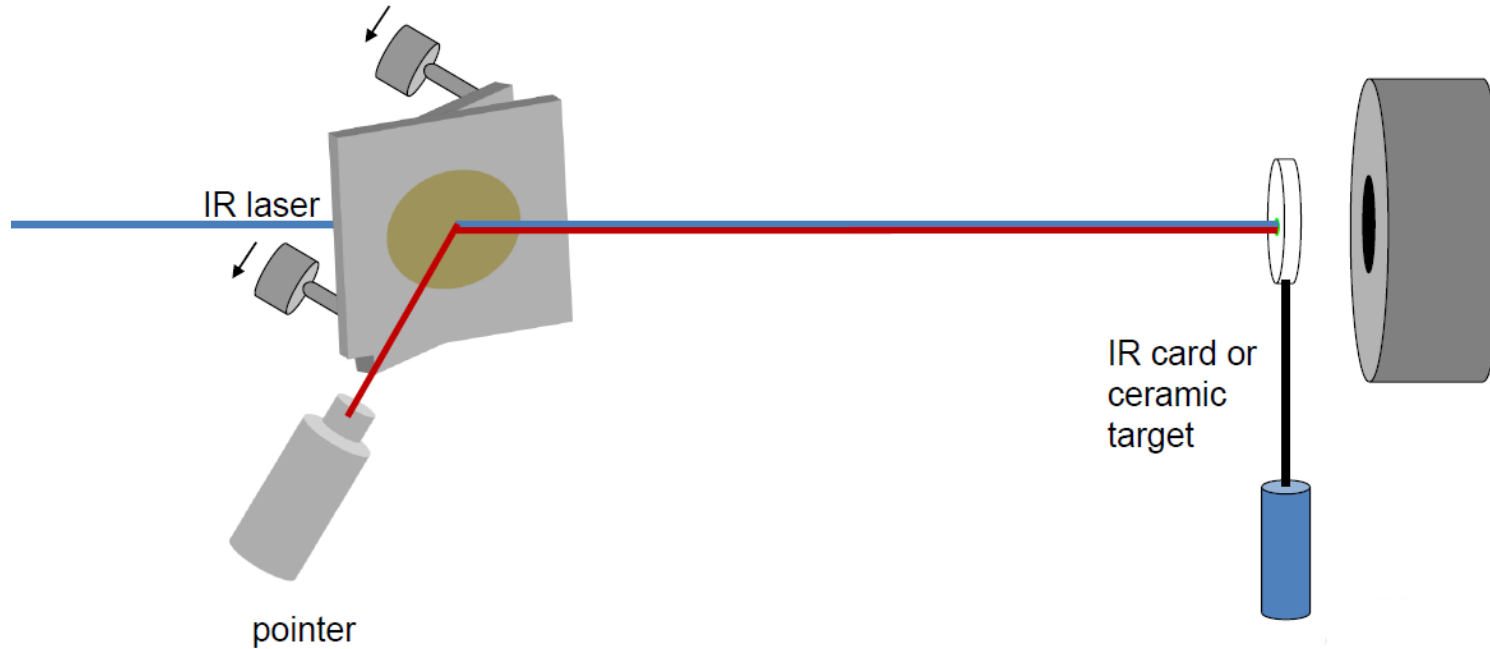
# Preliminary alignment – long distance

- Step 2: Look at IR and visible spot near target of laser beam



# Preliminary alignment – long distance

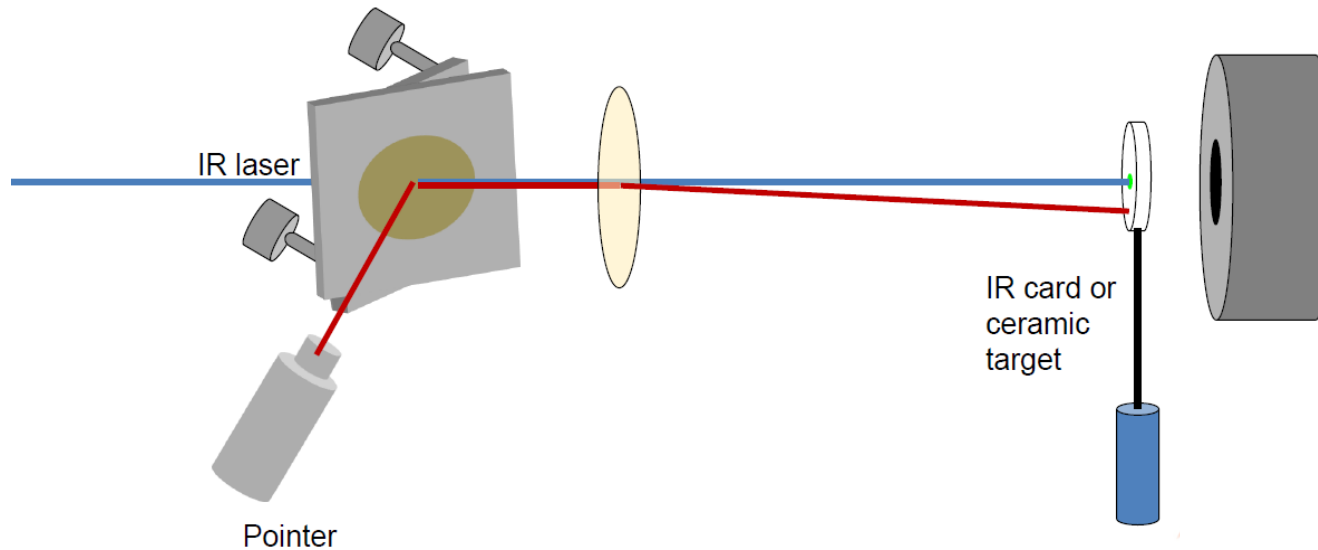
- Step 3: By adjusting beam splitter mirror, bring two spots together



## Fine Alignment – with lens

If your application involves a lens –

- Step 4: Place lens in beam
  - If beam is off axis, there will be a deviation



# Fine alignment – with lens

- Fine alignment – with lens position

