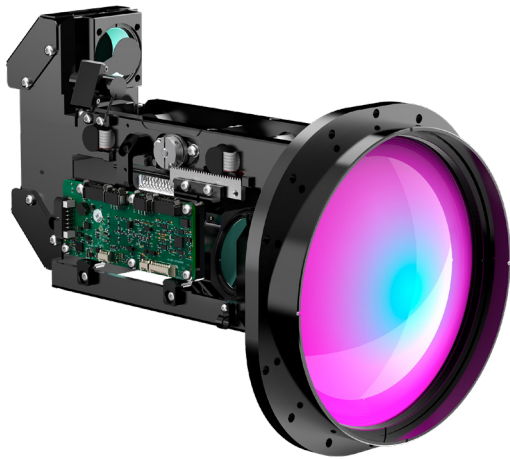


# FoldIR 30-450mm f/3.4\* , Motorized Continuous Zoom 680465

NEW

HD  
FORMAT



## WFOV (30mm)

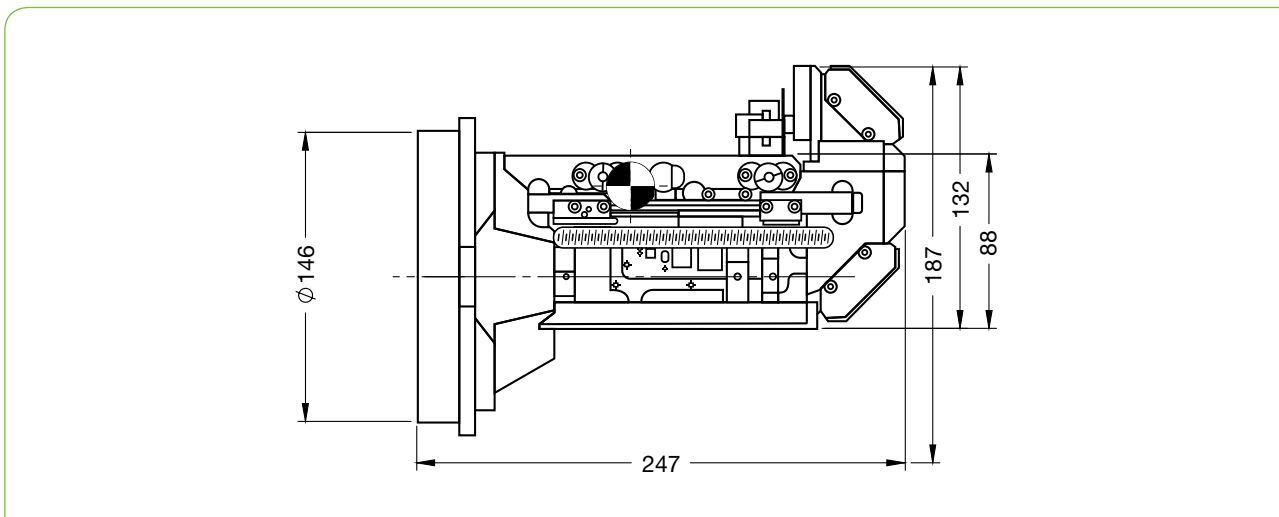
HFOV	640x480	1280x1024
15μ	19.3°	
10μ	12.5°	26.9°

## NFOV (450mm)

HFOV	640x480	1280x1024
15μ	1.3°	
10μ	0.8°	1.7°

Property	Value	
<b>Optical</b>	<b>WFOV</b>	<b>NFOV</b>
Focal Length	30mm	450mm
F#	3.4	
Average transmission (3.4-4.2μm)	80% (HC)	
Cold stop to FPA Distance	19.4mm	
Cold Stop CA	Ø5.7mm	
Minimum Focusing Range	20m	50m
Nuc	By integrated shutter or defocus	
<b>Mechanical</b>		
Focus Mechanism	Motorized	
Focus Time (minimum range to ∞)	<1sec.	
Zoom Time (NFOV to WFOV)	<5sec.	
Max. Dimensions	Ø146mm x 247mm	
Weight	2kg	

\* Requires export license



MWIR | ZOOM

Property	Value
<b>Electrical</b>	
Lens Control	Designated lens controller
Supply Voltage	12V
Current Consumption	0.5A average, 1.0A peak
Communication Protocol	RS422, RS232
<b>Environmental</b>	
Operation Temperature	-20°C to +55°C
Storage Temperature	-40°C to +70°C
Sealing	IP67 front element only
<b>Configurations</b>	
680465-001	High Durability
680465-002	Hard Carbon

\* NOTE: The ICD drawing provided here is primarily a representation and may not accurately reflect the product's actual dimensions and specifications. For precise integration specifications contact your local sales representative.