

## 1.1.2.3 Low Power Thermal Sensors

### 10mW to 50W

#### Features

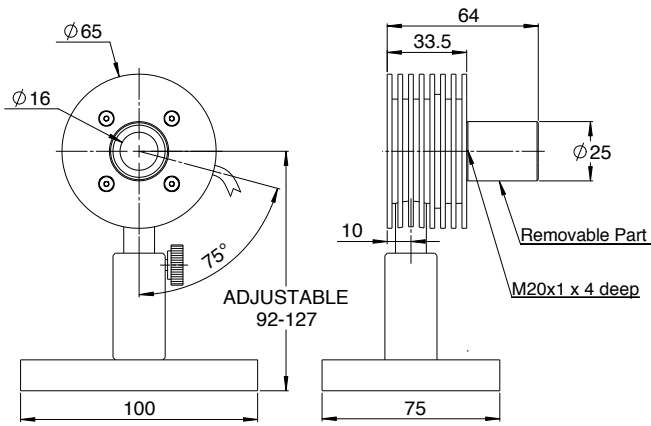
- Convection air cooled
- Broadband or Excimer absorbers
- Ø16mm to Ø26mm apertures
- Fast response time



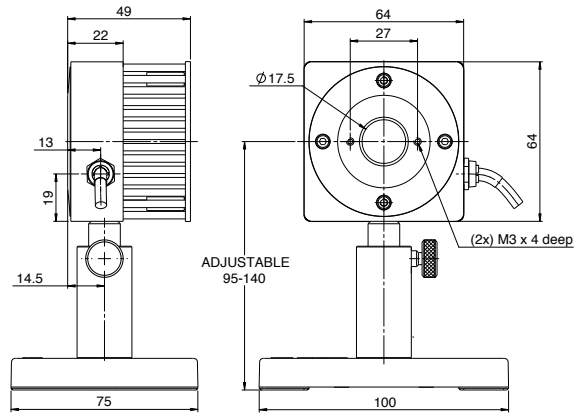
Model	10A-BB-16	30A-BB-18	L30A-BB-26-10MM	L30A-EX-10MM	50(150)A-BB-26
<b>Use</b>	<b>Low power</b>	<b>General purpose</b>	<b>Thin profile</b>	<b>Thin profile Excimer</b>	<b>General purpose</b>
Absorber Type	Broadband	Broadband	Broadband	EX	Broadband
Spectral Range $\mu\text{m}$	0.19 - 11	0.19 - 11	0.19 - 11	0.15 - 0.7, 10.6	0.19 - 11
Aperture mm	Ø16mm	Ø17.5mm	Ø26mm	Ø26mm	Ø26mm
Power Mode					
Power Range	10mW - 10W	10mW - 30W	80mW - 30W	80mW - 30W	40mW - 150W
Maximum Power Intermittent	N.A.	N.A.	8W free standing, 30W heat sunked	8W free standing, 30W heat sunked	150W for 1.5min, 100W for 2.2min, 50W continuous
Power Scales	10W / 5W / 0.5W	30W / 5W / 0.5W	30W / 3W	30W / 5W	150W / 50W / 5W
Power Noise Level	0.2mW	0.5mW	4mW	4mW	2mW
Maximum Average Power Density kW/cm <sup>2</sup>	28	20 at 30W 28 at 10W	20 at 30W 28 at 10W	1.5	12 at 150W 17 at 50W
Response Time with Meter (0-95%) typ. s	0.8	0.8	1.5	1.5	1.5
Calibration Uncertainty $\pm\%$	1.9	1.9	1.9	1.9	1.9
Power Accuracy $\pm\%$	3 <sup>(a)</sup>	3 <sup>(a)</sup>	3 <sup>(a)</sup>	3	3 <sup>(a)</sup>
Linearity with Power $\pm\%$	1	1	1	1	1.5
Energy Mode					
Energy Range	6mJ - 2J	6mJ - 30J	20mJ - 60J	20mJ - 30J	20mJ - 100J
Energy Scales	2J / 200mJ	30J / 3J / 300mJ	60J / 20J / 2J / 200mJ	30J / 3J / 300mJ	100J / 30J / 3J / 300mJ
Minimum Energy mJ	6	6	20	20	20
Maximum Energy Density J/cm <sup>2</sup>					
<100ns	0.3	0.3	0.3	0.5	0.3
0.5ms	2	2	5	6	5
2ms	2	2	10	12	10
10ms	2	2	30	25	30
Cooling	convection	convection	convection / conduction	convection / conduction	convection
Fiber Adapters Available (see page 120)	ST, FC, SMA, SC	ST, FC, SMA, SC	NA	NA	ST, FC, SMA, SC
Weight kg	0.2	0.3	0.1	0.1	0.3
Compliance	CE, UKCA, China RoHS	CE, UKCA, China RoHS	CE, UKCA, China RoHS	CE, UKCA, China RoHS	CE, UKCA, China RoHS
Version	V2	V1	V1		V1
<b>Part number: Standard Sensor</b>	<b>7Z07128</b>	<b>7Z07124</b>	<b>7Z07130</b>	<b>7Z02686</b>	<b>7Z07123</b>
<b>BeamTrack Sensor: Beam Position &amp; Size (p. 55/62)</b>	<b>7Z07905</b>				<b>7Z07907</b>
Notes: (a) $\pm 4\%$ . For wavelengths <240nm					

\* For drawings please see page 52

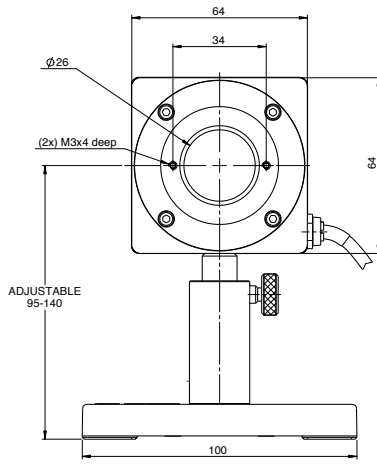
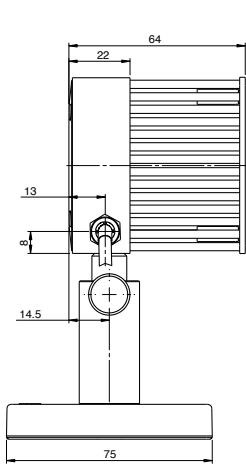
10A-BB-16



30A-BB-18



50(150)A-BB-26



L30A-BB-26-10MM / L30A-EX-10MM

