

1.1.2.11 Accessories for High Power Water Cooled Sensors

1.1.2.11.3 Scatter Shield

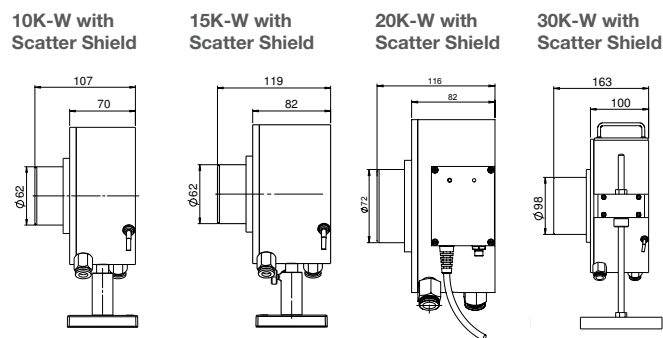
Scatter Shield for mounting on front flange of 10K-W / 15K-W, 20K-W and 30K-W to reduce backscattered power.

3 to 4% of the light impinging on the 10K-W, 15K-W, 20K-W and 30K-W is backscattered in a diffuse manner. This can cause heating of surrounding surfaces. Scatter Shields are available to greatly reduce this affect. When installed on the front flange of the sensors, they will reduce the backscatter by about 70%. The shield works in two ways:

1. By absorbing much of the backscattered light.
2. By reflecting some of it back into the sensor where that light is reabsorbed.

Since some of the light is reabsorbed, the power reading is 1-1.5% higher than without the shield, so an additional laser setting is given for use when the shield is mounted to adjust for this difference.

The scatter shield comes with a protective cover with target pattern for alignment that also can be purchased separately, (see page 102).



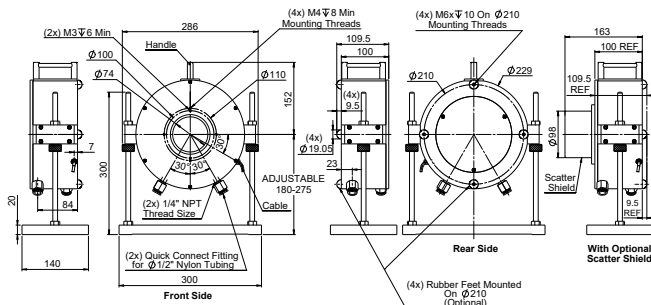
Model	10K-W / 15K-W Scatter Shield	20K-W Scatter Shield	30K-W Scatter Shield
Wavelength range of use	0.8 – 2µm	0.8 – 2µm	0.8 – 2µm
Laser setting with and without shield	with NIRS, without NIR	with NIRS, without NIR	with 107S, without 107
Backscatter with and without shield	with 1%, without 3.5%	with 1%, without 3.2%	with 1.4%, without 4.3%
Part number	7Z08295	7Z08355 (a)	7Z08293

Note: (a) The scatter shield is compatible also with the 16K-W-BB-55 sensor P/N 7Z07131

1.1.2.11.4 Heavy Duty Stand for 10K-W and 15K-W

For sustained use in an upright position, it may be advisable to purchase the heavy duty stand for the 10K-W and 15K-W due to their large size and weight. The heavy duty stand bolts onto existing threads on the rear of the 10K-W and 15K-W.

Model	Heavy Duty Stand for 10K-W and 15K-W
Part number	7Z08330



1.1.2.11.5 30K-W Rubber Feet Assembly

The rubber feet make it possible to lean the sensor on its rear side for better stability when used with a vertical beam. The kit has 4 feet which can be screwed into the existing threads.

Model	30K-W Rubber Feet Assembly
Part number	7Z08217

