

3.5.10 Optical Camera Trigger

The Optical Camera Trigger is an optical sensor that detects pulsed light sources and generates outputs to trigger a camera. The front aperture of the Optical Trigger must be directed at a light source that provides the necessary properties for trigger activation (e.g. a laser flash lamp, a pick-off source from the main laser beam, or similar). The light source may be a direct or indirect pulsed waveform.

The Optical Trigger system is supplied with a C-Mount adapter, a 1/4-20 adapter, M6-1.0 adapter, or Through-Hole adapter options which allows attachment of the Optical Trigger in a multitude of mounting configurations. One trigger cable and one mount option comes with the photodiode trigger. Specify one of each at time of order. See user guide for camera specific mounting options.

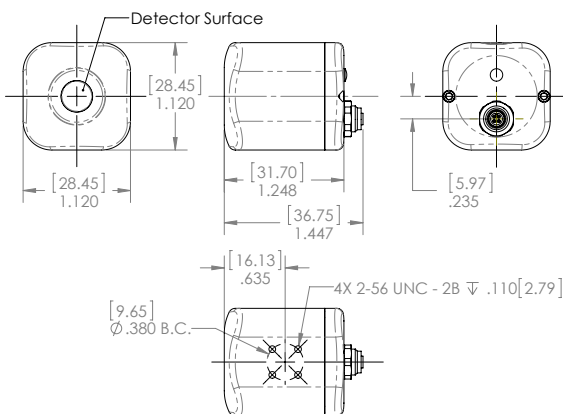


Specifications

Model	Photodiode Trigger, Si, 1100	Photodiode Trigger, InGaAs, 1800
Detector	Si	Si/InGaAs
Minimum pulse width	1µs	1µs
Optical Threshold Wavelength		
200nm	10.0 1µJ	N/A
633nm	3.5 1µJ	4 1µJ
1064nm	5 1µJ	10.0 1µJ
1550nm	N/A	4 1µJ
Compliance	CE, UKCA, China RoHS	CE, UKCA, China RoHS
Part number	SP90408	SP90409
Accessories		
With either trigger above you must specify 1 cable and 1 mount at time of order		
Cable	Photodiode Trigger Cable for SP300, 6ft	SP90430
Cable	Photodiode Trigger Cable for SP907, SP932U, 6ft	SP90431
Cable	Photodiode Trigger Cable to SMA for LT665, Pyrocam™ IIIHR & IV, SP1203, SP1201, 6ft	SP90432
Cable	Photodiode Trigger Cable to BNC for SP920G, SP504S, L11059, Xeva, Pyrocam III, 6ft	SP90433
Mount	1/4-20 Mount, Photodiode Trigger	SP90434
Mount	M6 X 1.0 Mount, Photodiode Trigger	SP90435
Mount	Thru Hole Mount, Photodiode Trigger	SP90436
Mount	C-Mount, Photodiode Trigger	SP90437

Mounting Options

Photodiode Trigger



SP90437 C-Mount Mounting Plate & Locking Ring



SP90436 Through Hole Mounting Plate



SP90434 1/4-20 Mounting Plate



SP90435 M6 X 1.0 Mounting Plate